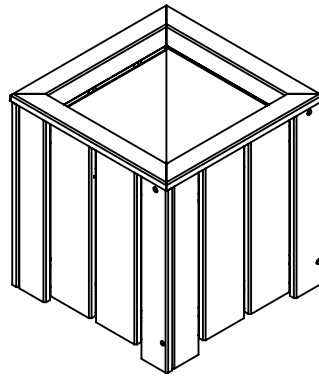
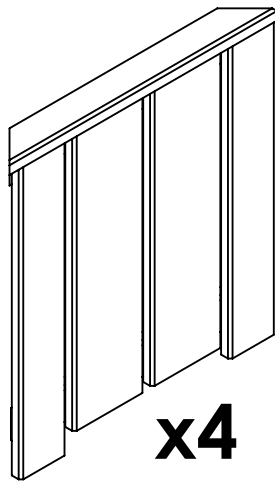


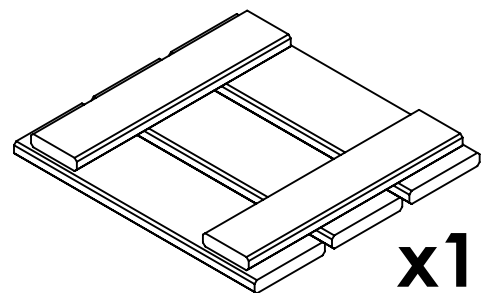
# 253469



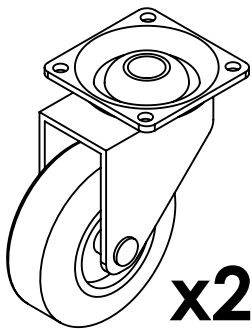
**1**



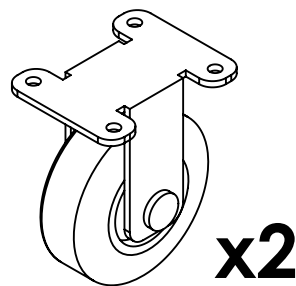
**2**



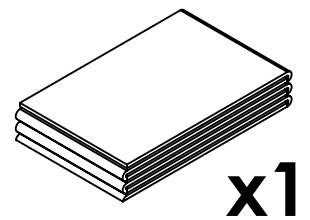
**3**



**4**



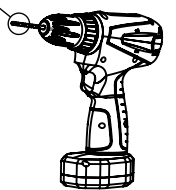
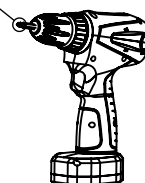
**5**



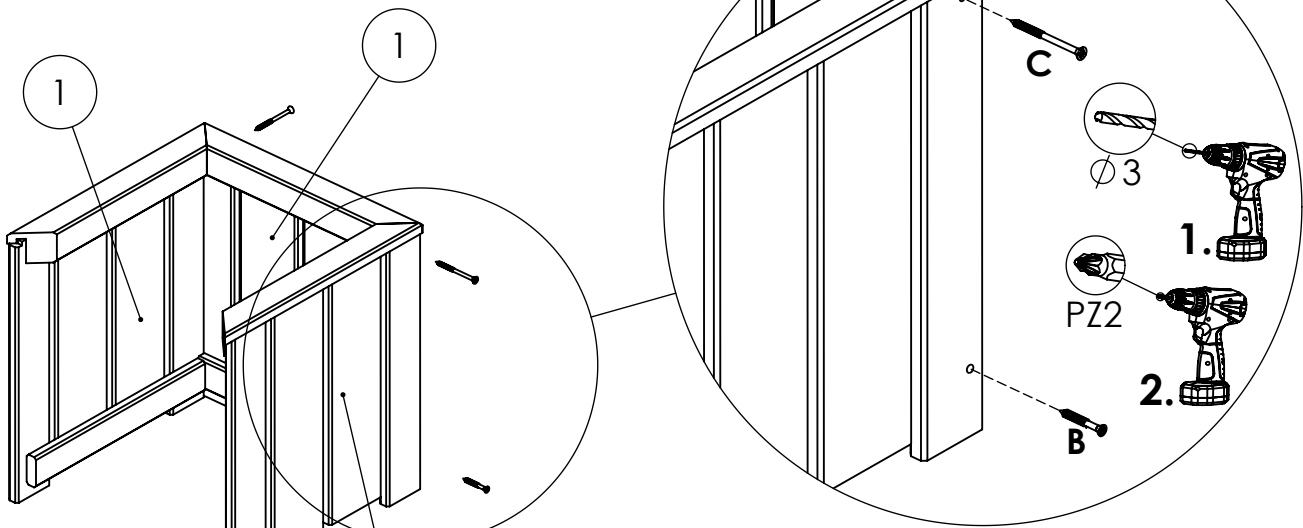
**6**


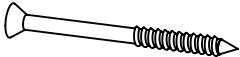


|          |  |               |            |
|----------|--|---------------|------------|
| <b>A</b> |  | <b>3.5x16</b> | <b>x16</b> |
| <b>B</b> |  | <b>3.5x40</b> | <b>x8</b>  |
| <b>C</b> |  | <b>4x60</b>   | <b>x4</b>  |

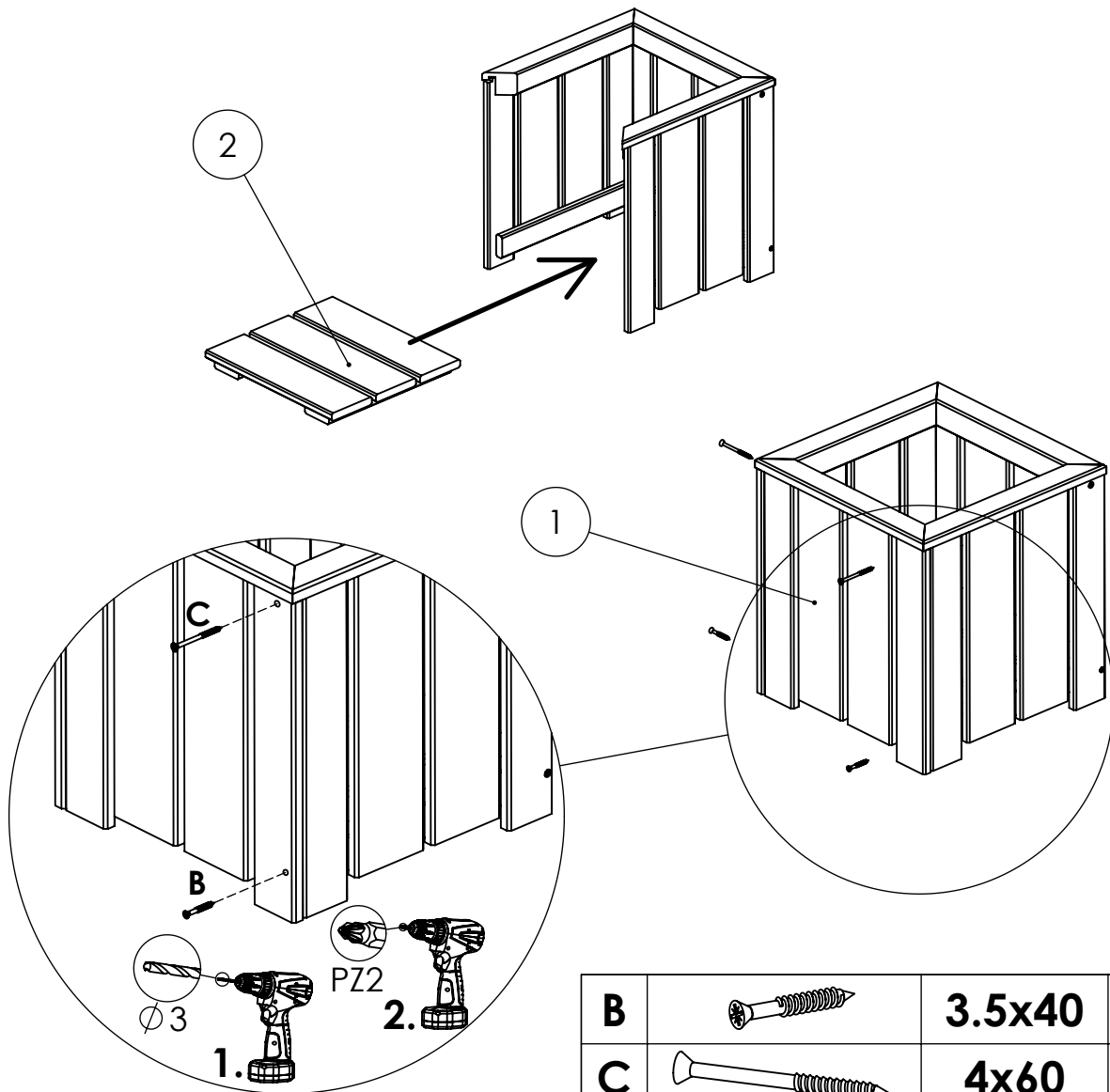


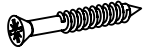
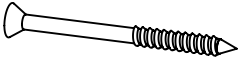
# 1



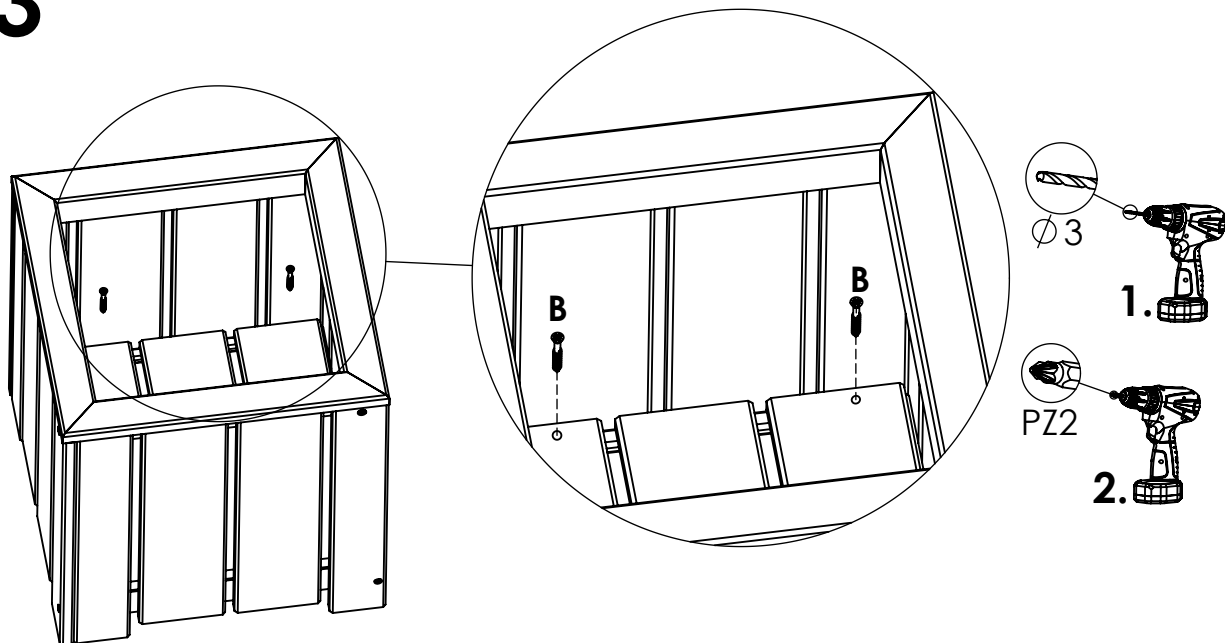
|          |  |               |           |
|----------|--|---------------|-----------|
| <b>B</b> |   | <b>3.5x40</b> | <b>x2</b> |
| <b>C</b> |  | <b>4x60</b>   | <b>x2</b> |


# 2



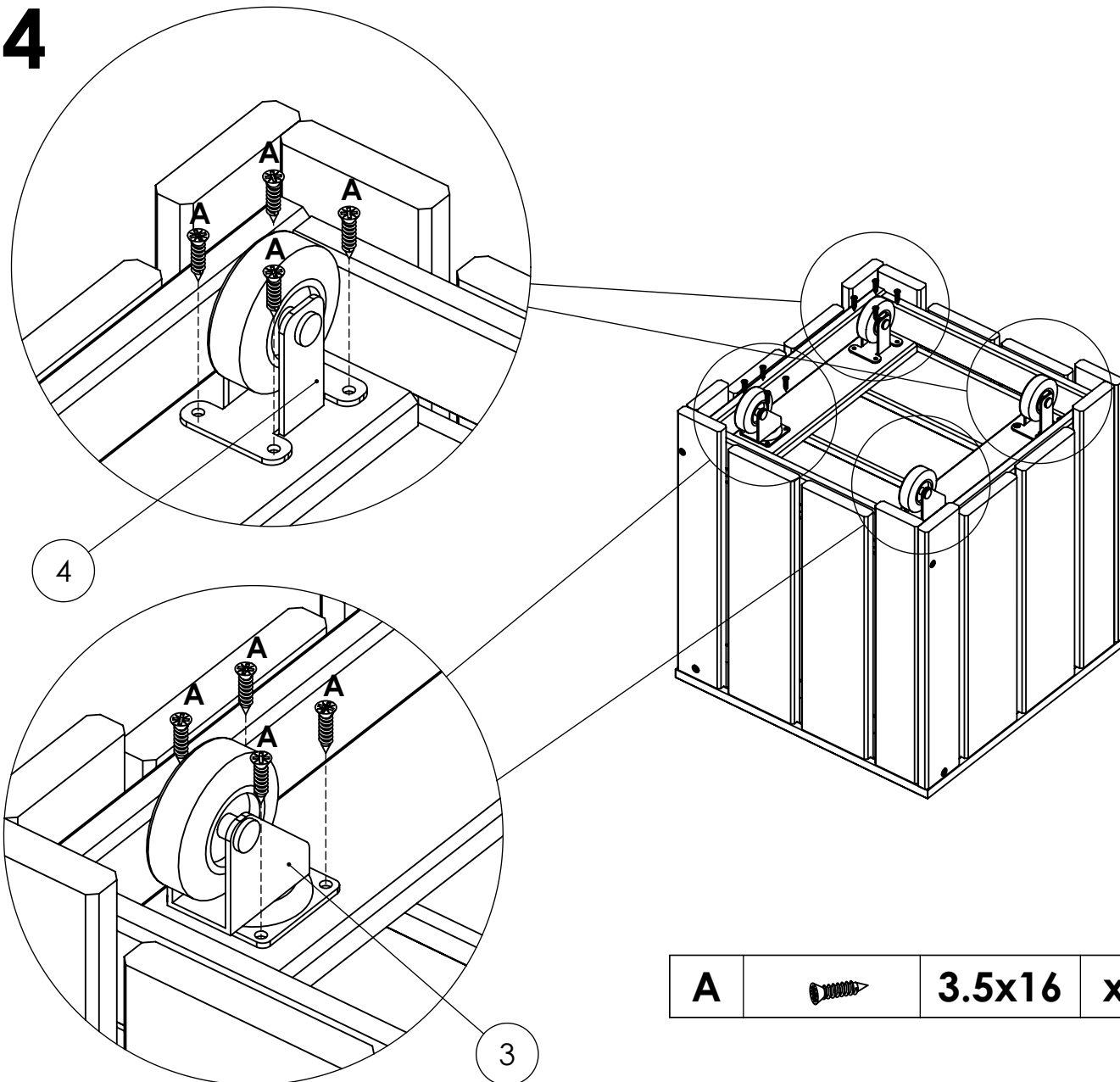
|          |  |               |           |
|----------|--|---------------|-----------|
| <b>B</b> |  | <b>3.5x40</b> | <b>x2</b> |
| <b>C</b> |  | <b>4x60</b>   | <b>x2</b> |


# 3



|          |   |               |           |
|----------|---|---------------|-----------|
| <b>B</b> |  | <b>3.5x40</b> | <b>x4</b> |
|----------|---|---------------|-----------|

# 4



|          |   |               |            |
|----------|---|---------------|------------|
| <b>A</b> |  | <b>3.5x16</b> | <b>x16</b> |
|----------|---|---------------|------------|

# 5

